

Spare parts list



E306, H706, H756, D306, D756



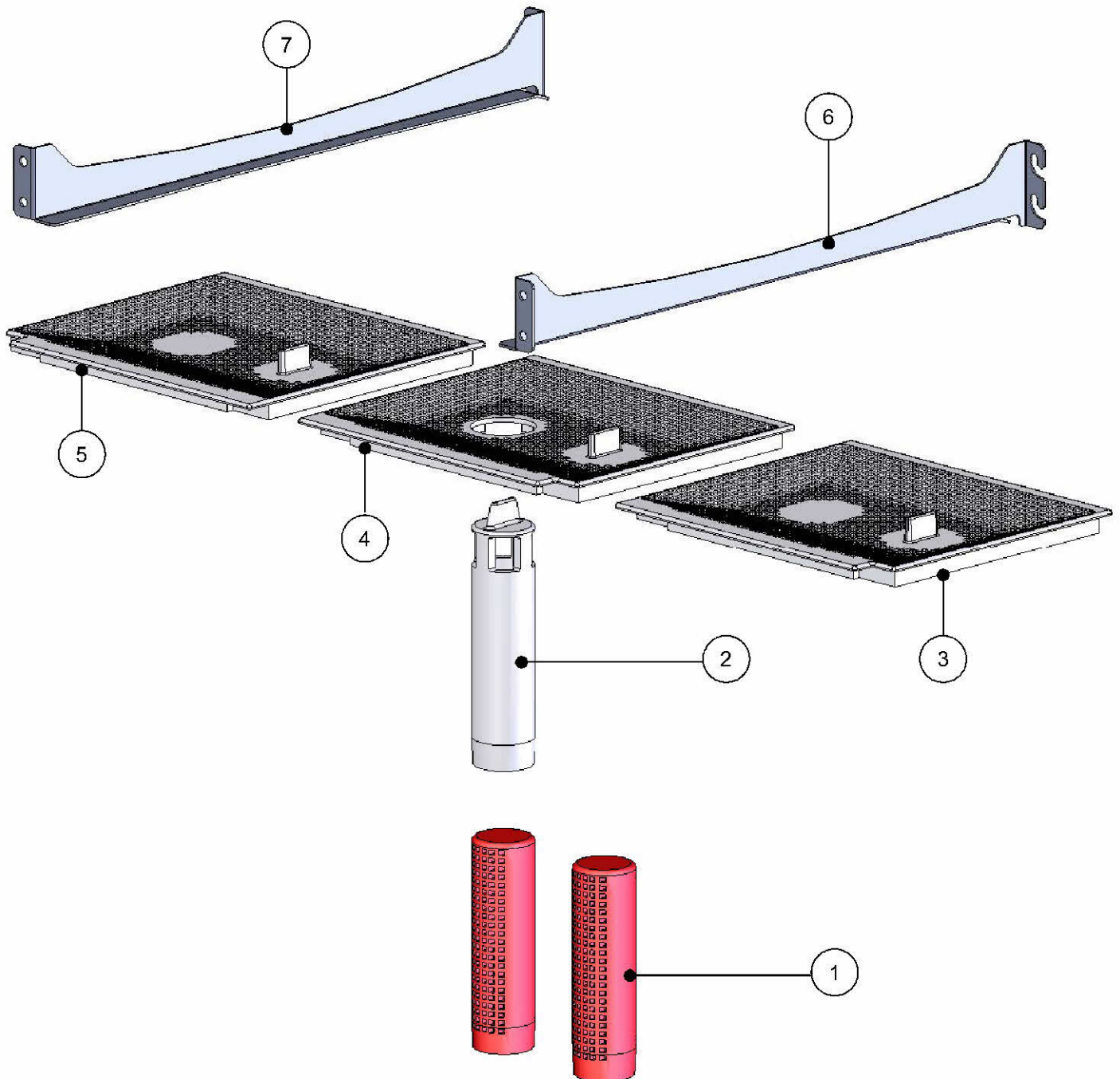
Contents

Machine assembly

→ Filter & Basket supports	2 - 3
→ Wash tank	4 - 7
→ Rinse & Wash system	8 - 9
→ Centre boss	10 - 11
→ Rinse arm assembly	12 - 13
→ Base assembly (Eco & Hydro)	14 - 15
→ Base assembly (Duo)	16 - 17
→ Rinse boiler	18 - 19
→ Wash pump assembly - 0.74kW	20 - 21
→ Rinse pump assembly - 0.27kW	22 - 23
→ Drain pump kit	24 - 25
→ Gravity drain kit	26 - 27
→ Component tray	28 - 29
→ Panel kit	30 - 31
→ Packing kit	32



Filters & Basket supports

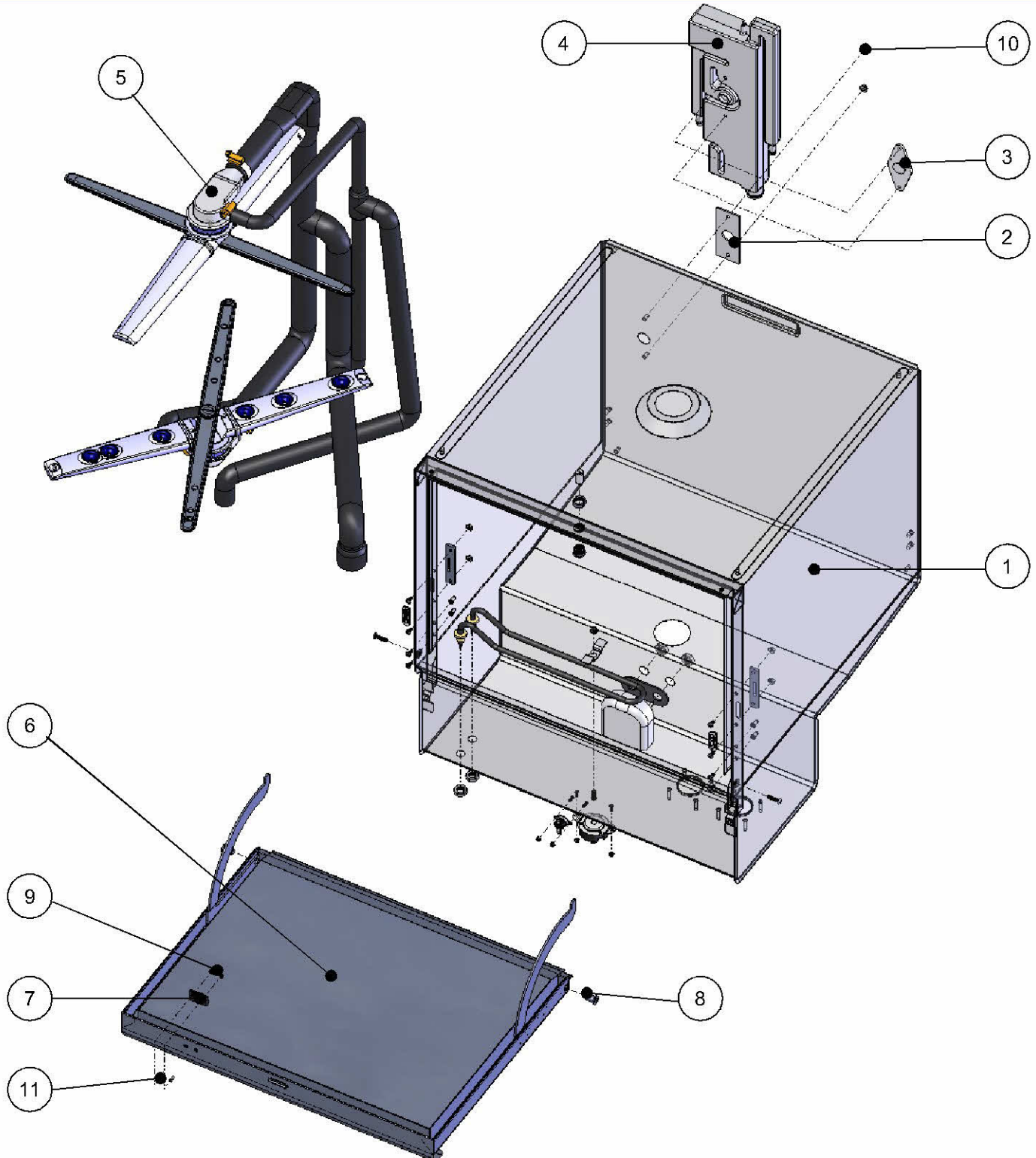


Filters & Basket supports

Item	Description	Part no.	Qty	Note
1	Secondary filter	231.0001	2	Only 1 required on gravity drain machines
2	Drain plug	232.0001	1	Only on gravity drain machines
3	Wash filter RH - 500mm Pumped	230.0005	1	Only on drain pump machines
4	Wash filter RH - 500mm Gravity	230.0004	1	Only on gravity drain machines
5	Wash filter LH - 500mm	230.0006	1	
6	Basket ramp - 500mm RH	115.0003	1	
7	Basket ramp - 500mm LH	115.0004	1	

Wash tank assembly

Machine type	Assembly description	Assembly part no.
Eco 3, Hydro 700 & Hydro 750	Wash tank assembly	011.0004
Duo 3 & Duo 750	Wash tank assembly	011.0008

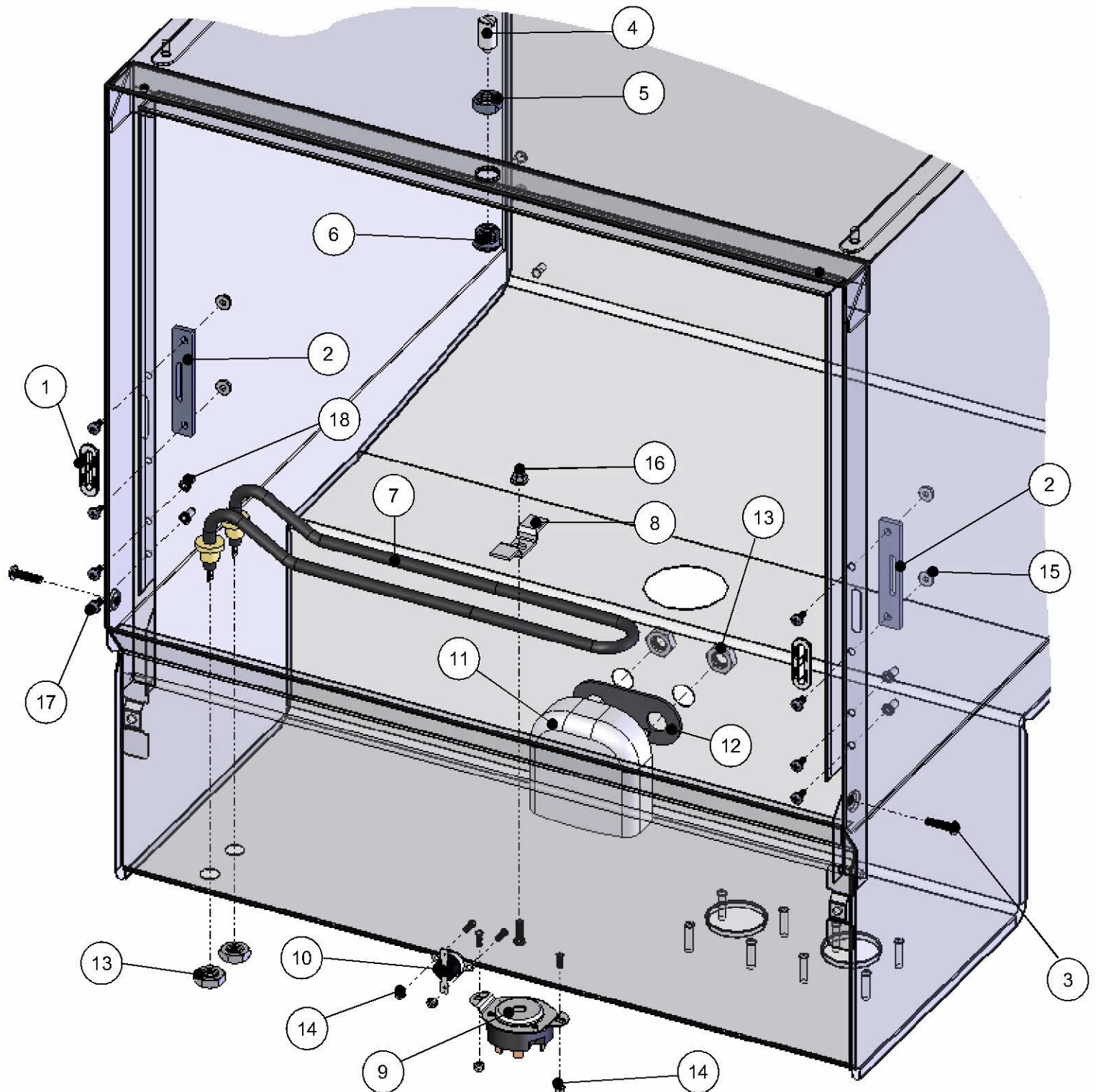


Wash tank assembly

Item	Description	Part no.	Qty	Note
1	Wash cabinet	110.0002	1	
2	Seal - Air break	301.0002	1	
3	20mm Blanking cover	255.0001	1	Only on Eco3, Hydro700 & Hydro750
4	Air break (WRAS approved)	200.0001	1	Only on Duo3 & Duo750
	Air break (without overflow)	200.0002	1	Only on none UK Duo3 & Duo750
5	Rinse & Wash system - 500mm	021.0004	1	
6	Door	111.0002	1	
7	Magnet - Door switch	571.0001	1	
8	Door pivot pin	100.0002	2	
9	M3 nut - Flange	FNUT-03	2	
10	M5 nut - Flange	FNUT-05	2	
11	M3 x 8mm long Pan head Pozi screw	SC101	2	

Wash tank assembly

Machine type	Assembly description	Assembly part no.
Eco 3, Hydro 700 & Hydro 750	Wash tank assembly	011.0004
Duo 3 & Duo 750	Wash tank assembly	011.0008

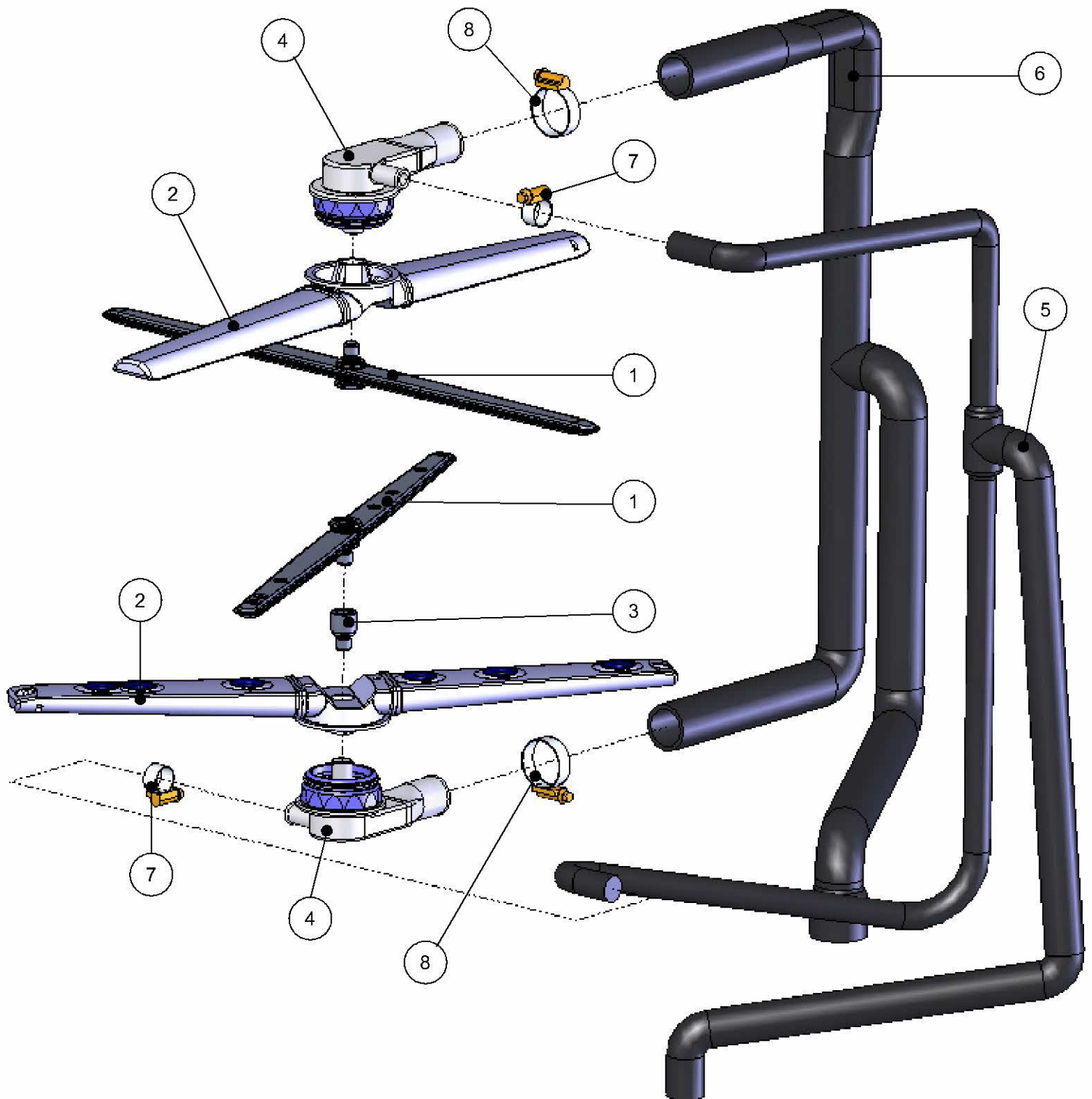


Wash tank assembly

Item	Description	Part no.	Qty	Note
1	Door inlay	256.0001	2	
2	Plate - Door stop	102.0002	2	
3	M6 x 12mm long—Button head screw	SC100	2	
4	Ball catch (M10)	320.0001	1	
5	Ball catch housing	100.0008	1	
6	Ball catch housing nut	100.0007	1	
7	Wash element - 2,000 watt	555.0001	1	
8	Bracket - Wash element clamp	7.6.6/22-2	1	
9	105°C - Thermal switch - 3 pole manual	540.0002	1	
10	55°C - Thermal switch - 1 pole auto - N/C	541.0001	1	
11	Air pressure vessel	260.0001	1	
12	Seal - Air pressure vessel	301.0001	1	
13	M12 Thin nut	TNUT-12	4	
14	M3 nut - Flange	FNUT-03	4	
15	M4 nut - Flange	FNUT-04	4	
16	M5 nut - Flange	FNUT-05	1	
17	M4 x 8mm long Pan head screw	SC006	8	
18	Support - Basket ramp	100.0009	4	

Rinse & Wash system

Machine type	Assembly description	Assembly part no.
All models	Rinse and Wash system	021.0004

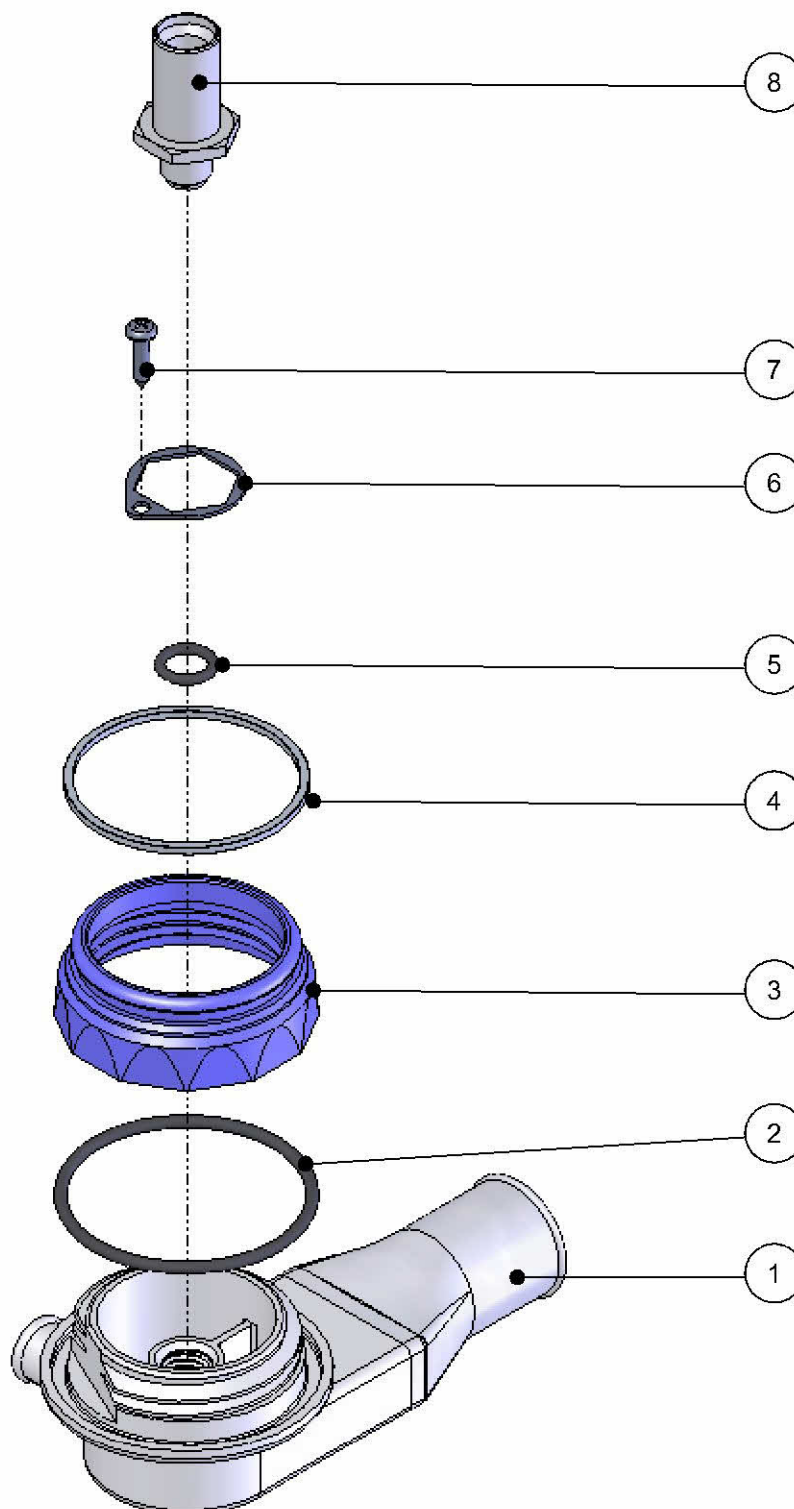


Rinse & Wash system

Item	Description	Part no.	Qty	Note
1	Rinse arm assembly - 500mm	022.0002	2	
2	Wash arm - 500mm	60004171	2	
3	Rinse extension screw	100.0005	1	
4	Centre boss assembly	021.0005	2	
5	Hose - Rinse system - 500mm	404.0002	1	
6	Hose - Wash pump outlet - 500mm	406.0003	1	
7	Jubilee clip - Ø12mm to Ø22mm	JCLIP-012-022	2	
8	Jubilee clip - Ø25mm to Ø40mm	JCLIP-025-040	2	

Centre boss assembly

Machine type	Assembly description	Assembly part no.
All models	Centre boss	021.0005

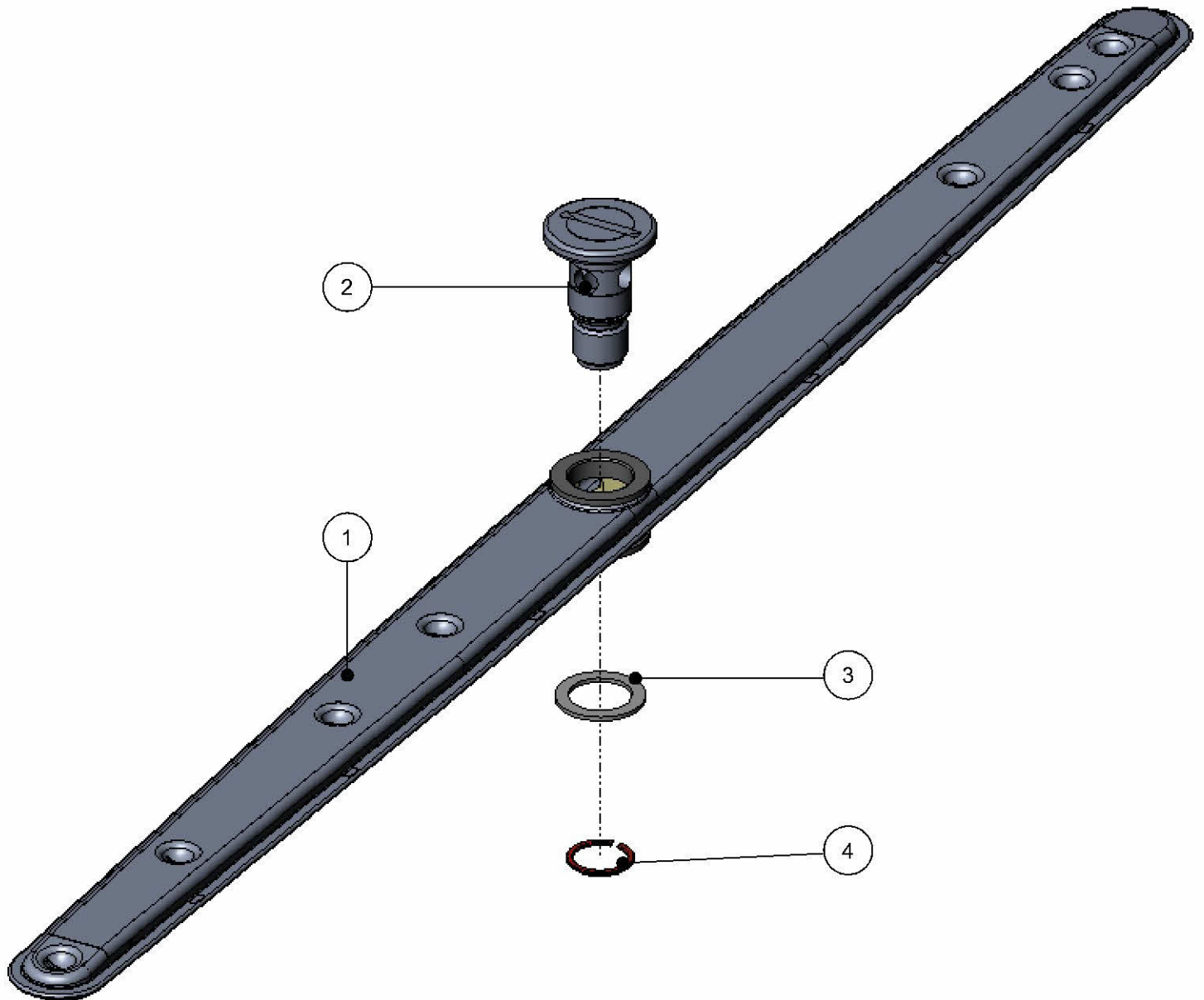


Centre boss assembly

Item	Description	Part no.	Qty	Note
1	Centre boss (bottom)	60004157	1	
2	O ring - Ø3mm x Ø56mm	300.3056	1	
3	Lock nut	60003005	1	
4	Seal	60003021	1	Only for dishwashers
5	O ring - Ø2.5mm x Ø10mm	300.2510	1	
6	Fixing plate	61006076	2	
7	M3 x 16mm Long - Self tapping screw	20 20 305	1	
8	Rinse arm spindle	60002987	1	

Rinse arm assembly - Bottom

Machine type	Assembly description	Assembly part no.
All models	Rinse arm assembly - Bottom	022.0002

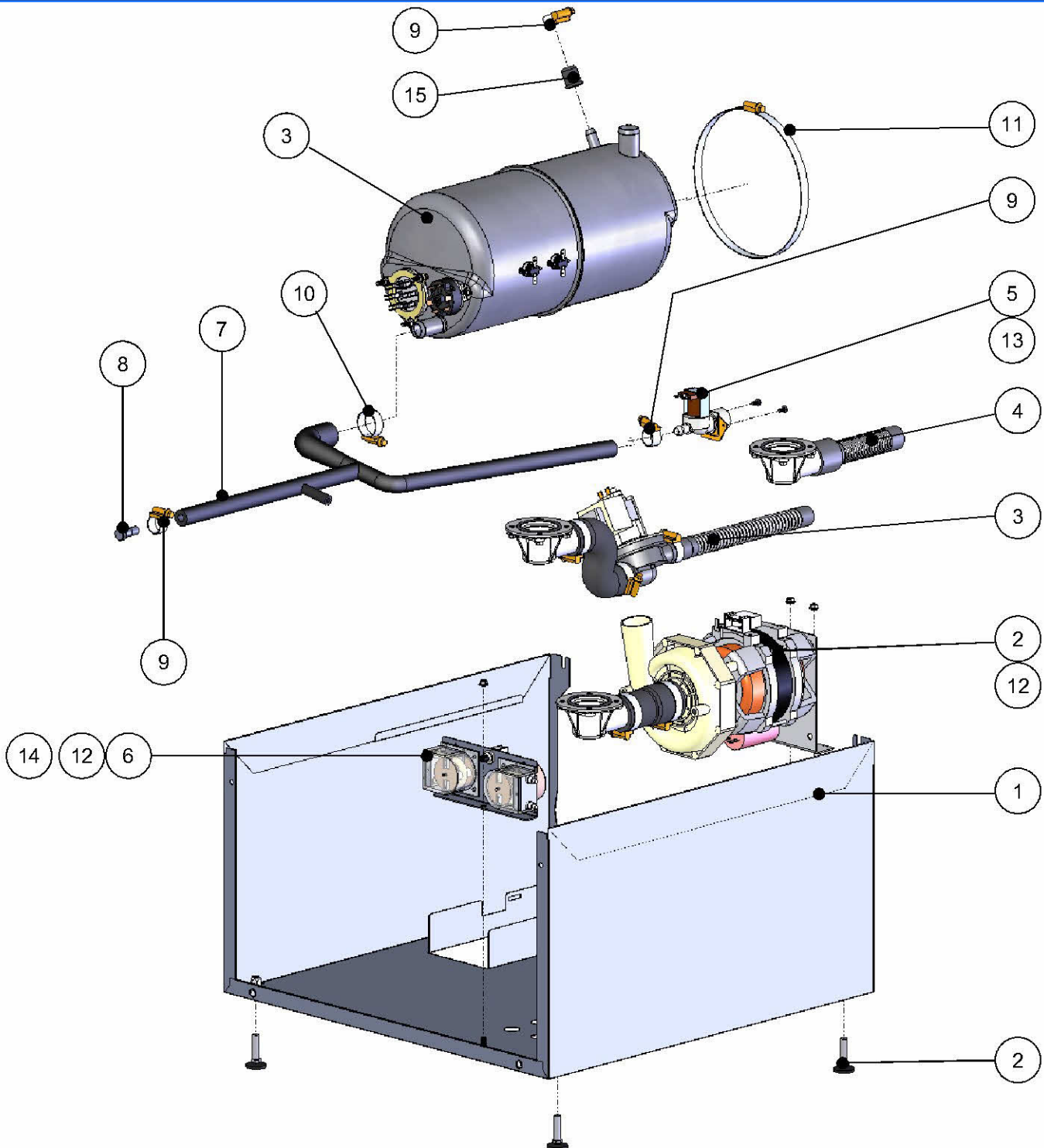


Rinse arm assembly - Bottom

Item	Description	Part no.	Qty	Note
1	Rinse arm - 500mm	60003948	1	
2	Rinse arm screw	60004124	1	
3	Washer	60003487	1	
4	Locking ring	60003023	1	

Base assembly (Eco & Hydro)

Machine type	Assembly description	Assembly part no.
Eco 3	Base assy. - 7.5 litre x 2kW x 70°C - Pressurised tank - Gravity drain	012.0003
Hydro 700	Base assy. - 7.5 litre x 2kW x 80°C - Pressurised tank - Gravity drain	012.0004
Hydro 750	Base assy. - 7.5 litre x 6kW x 70°C - Pressurised tank - Gravity drain	012.0005

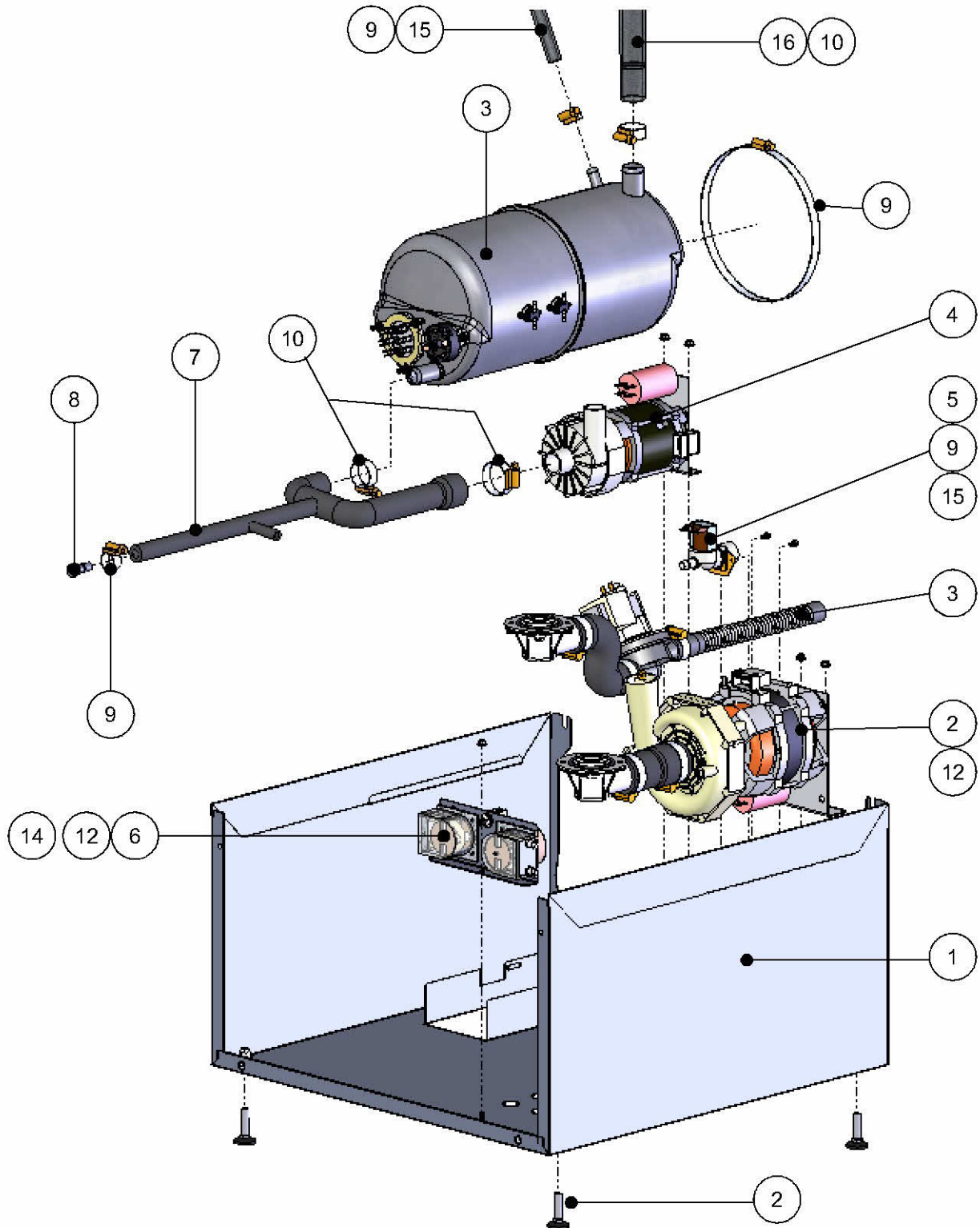


Base assembly (Eco & Hydro)

Item	Description	Part no.	Qty	Note
1	Machine base - 500mm	120.0002	1	
2	M8 x 40 Adjuster foot	310.0001	4	
3	Rinse boiler - 7.5 litre x 6 kW x 70°C	013.0004	1	Only for Eco 1
	Rinse boiler - 7.5 litre x 2 kW x 80°C	013.0004		Only for Hydro 700
	Rinse boiler - 7.5 litre x 6 kW x 80°C	013.0005		Only for Hydro 750
2	Wash pump assembly - 0.74 kW	052.2202	1	
3	Drain pump kit	052.2402	1	Only for drain pump machines
4	Gravity drain kit	052.2401	1	Only for gravity drain machines
5	Inlet solenoid valve	7.12.12/1	1	
6	Chemical pumps	052.2601	1	
7	Hose - Inlet valve - Rinse boiler	401.0001	1	
8	Drain plug - Rinse tank	100.0003	1	
9	Jubilee clip - Ø12mm to Ø22mm	JCLIP-012-022	3	
10	Jubilee clip - Ø20mm to Ø32mm	JCLIP-020-032	1	
11	Jubilee clip - Ø160mm to Ø200mm	JCLIP-160-200	1	
12	M5 nut - Flange	FNUT-05	3	
13	M3 x 10mm long - Pan head screw	SC006	2	
14	Silicon hose - Ø3mm	RT3	4	Quantity in metres (not shown)
15	End cap	410.0002	1	

Base assembly (Duo)

Machine type	Assembly description	Assembly part no.
Duo 3	Base assembly	012.0008
Duo 750	Base assembly	012.0009

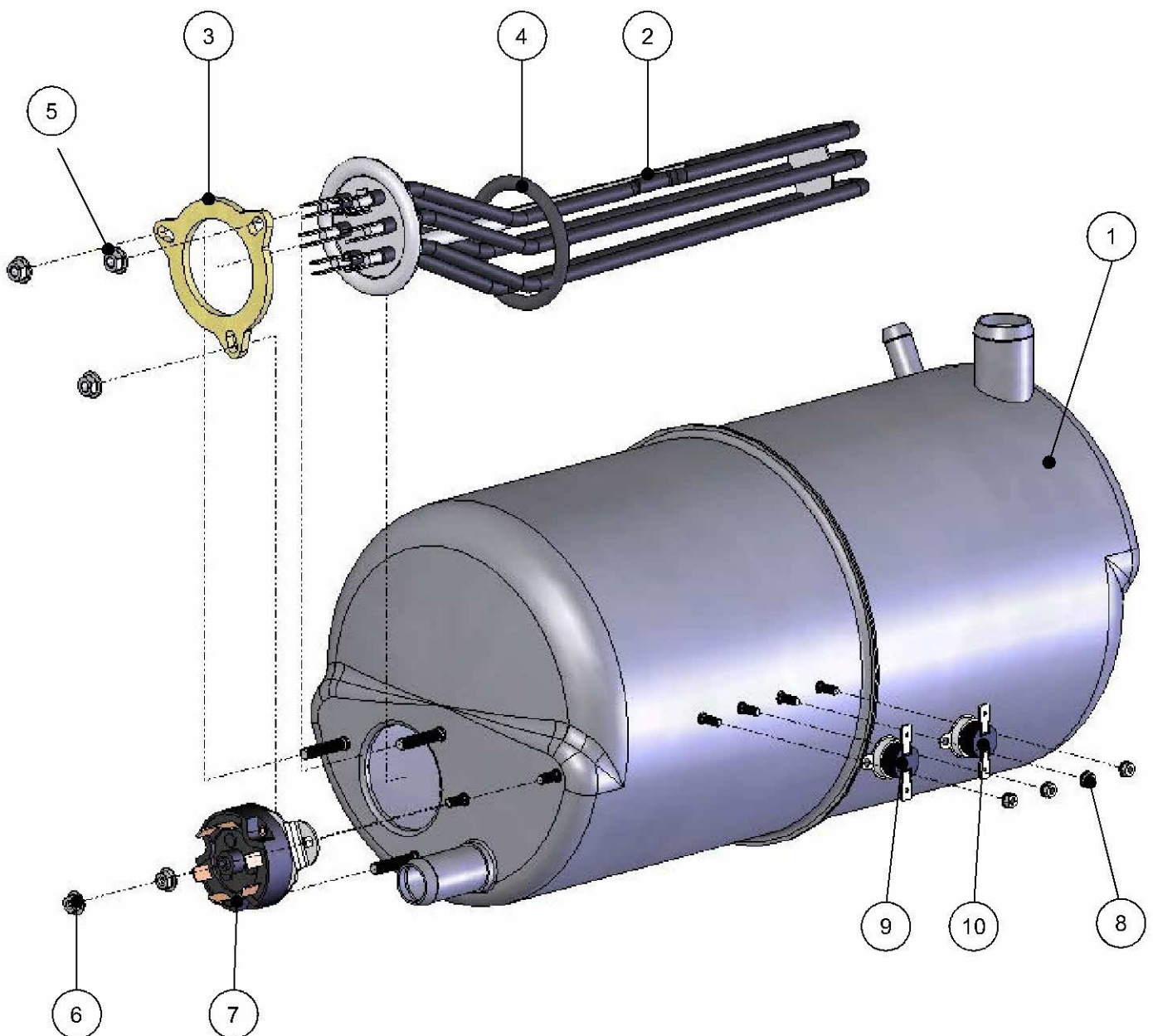


Base assembly (Duo)

Item	Description	Part no.	Qty	Note
1	Machine base - 500mm	120.0002	1	
2	M8 x 40 Adjuster foot	310.0001	4	
3	Rinse boiler - 7.5 litre x 6 kW x 70°c	013.0004	1	Only for Duo3
	Rinse boiler - 7.5 litre x 6 kW x 80°c	013.0005		Only for Duo 750
2	Wash pump assembly - 0.74 kW	052.2202	1	
3	Drain pump kit	052.2402	1	
4	Rinse pump assembly - 0.27 kW	052.2002	1	
5	Inlet solenoid valve	7.12.12/1	1	
6	Chemical pumps	052.2601	1	
7	Hose - Rinse boiler - Rinse pump	403.0002	1	
8	Drain plug - Rinse tank	100.0003	1	
9	Jubilee clip - Ø12mm to Ø22mm	JCLIP-012-022	3	
10	Jubilee clip - Ø20mm to Ø32mm	JCLIP-020-032	3	
11	Jubilee clip - Ø160mm to Ø200mm	JCLIP-160-200	1	
12	M5 nut - Flange	FNUT-05	4	
13	M3 x 10mm long - Pan head screw	SC006	2	
14	Silicon hose - Ø3mm	RT3	4	Quantity in metres (not shown)
15	Silicon Hose - Ø9.5mm	H-09S	0.4	Quantity in metres
16	Silicon Hose - Ø23mm	H-23S	0.15	Quantity in metres

Rinse boiler

Machine type	Assembly description	Assembly part no.
-	Rinse boiler assembly - 7.5litres x 70°c x 2,000 watts	-
Eco 3 & Duo3	Rinse boiler assembly - 7.5litres x 70°c x 6,000 watts	013.0003
Hydro700	Rinse boiler assembly - 7.5litres x 80°c x 2,000 watts	013.0004
Hydro750 & Duo750	Rinse boiler assembly - 7.5litres x 80°c x 6,000 watts	013.0005

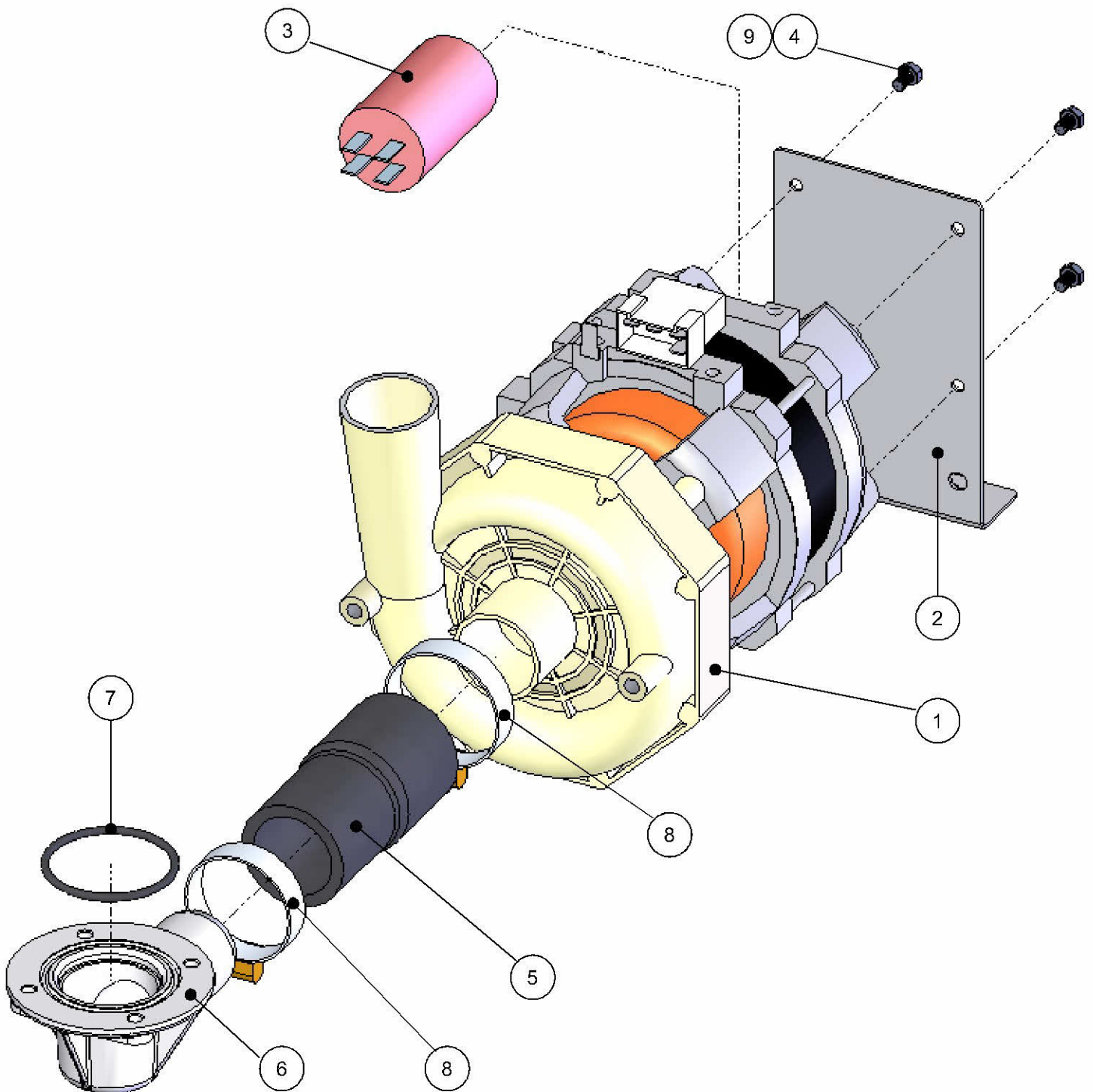


Rinse boiler

Item	Description	Part no.	Qty	Note
1	Rinse boiler - 7.5 litres	130.0003	1	
2	Rinse element - 2,000 watt	550.0002	1	Only on Hydro700
	Rinse element - 6,000 watt	550.0001	1	Only to be fitted on 30 amp units
3	Bracket - Rinse element	600010934	1	
4	O-ring seal - Ø6mm x Ø47mm	300.6047	1	
5	M5 nut - Flange	FNUT-05	3	
6	M4 nut - Flange	FNUT - 04	2	
7	Manual reset thermal trip switch - 3 pole - 105°C (normally closed)	540.0002	1	
8	M3 nut - Flange	FNUT-03	4	
9	Auto reset thermal trip switch - 1 pole - 55°C (normally open)	541.0002	1	
10	Auto reset thermal trip switch - 1 pole - 70°C (normally closed)	541.0003	1	Only to be fitted on glasswashers
	Auto reset thermal trip switch - 1 pole - 80°C (normally closed)	541.0004	1	Only to be fitted on dishwashers

Wash pump assembly - 0.74kW

Machine type	Assembly description	Assembly part no.
All models	Wash pump assembly - 0.74kW	052.2202

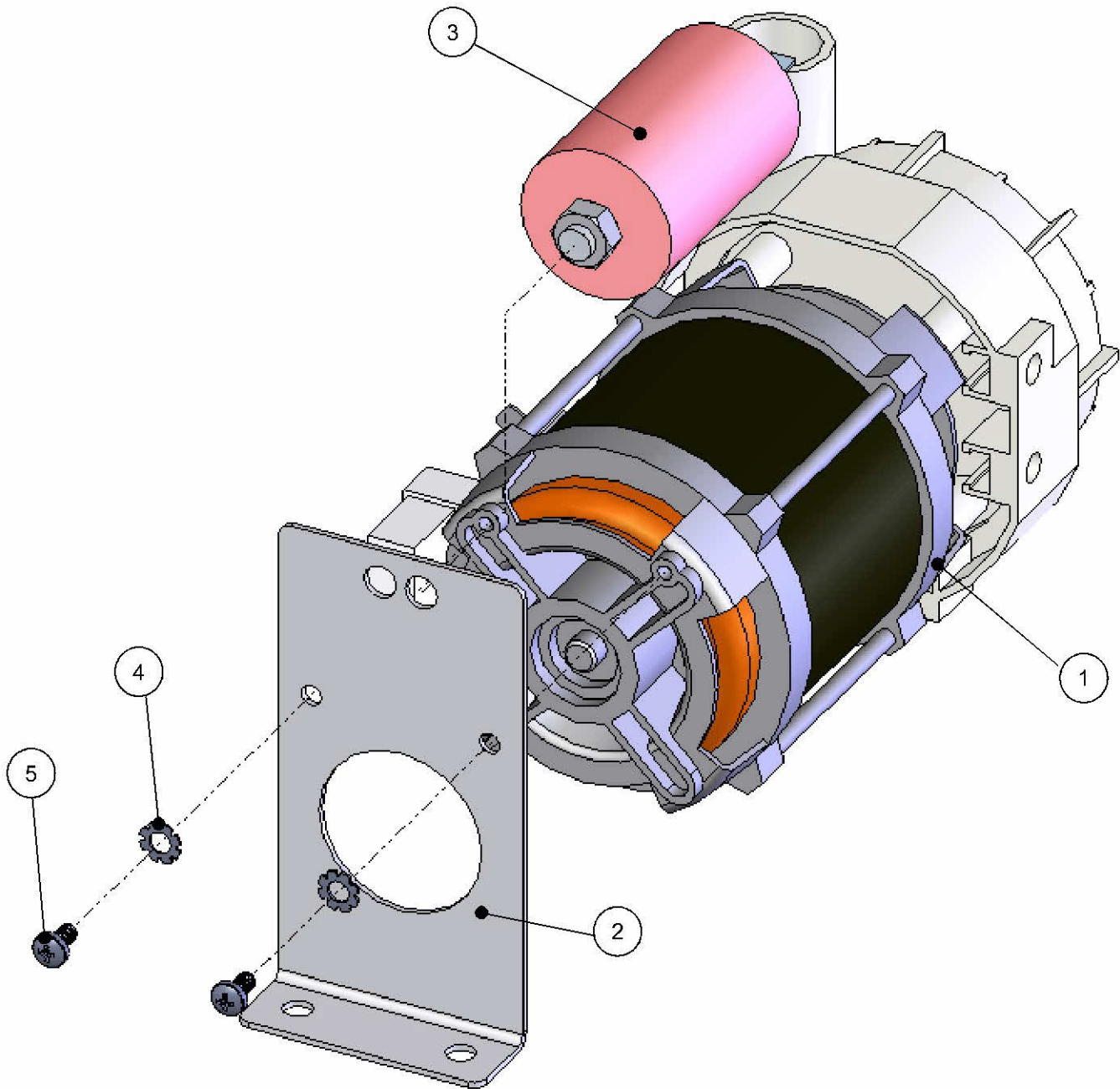


Wash pump assembly - 0.74kW

Item	Description	Part no.	Qty	Note
1	Wash pump - 0.74 kW	522.0002	1	
2	Bracket - Pump 0.74 kW	160.0005	1	
3	Capacitor - 10 μ F	529.0003	1	
4	M5 x 8mm long - Hex screw	SC011	4	
5	Hose - Wash pump inlet	405.0001	1	
6	Wash & waste outlet	240.0002	1	
7	O-ring seal - \varnothing 3mm x \varnothing 47mm	300.3047	1	
8	Jubilee clip - \varnothing 30mm to \varnothing 45mm	JCLIP-030-045	2	
9	M5 star washer	W014	4	Not shown

Rinse pump assembly - 0.27kW

Machine type	Assembly description	Assembly part no.
Duo 3 & Duo 750	Rinse pump assembly - 0.27kW	052.2002

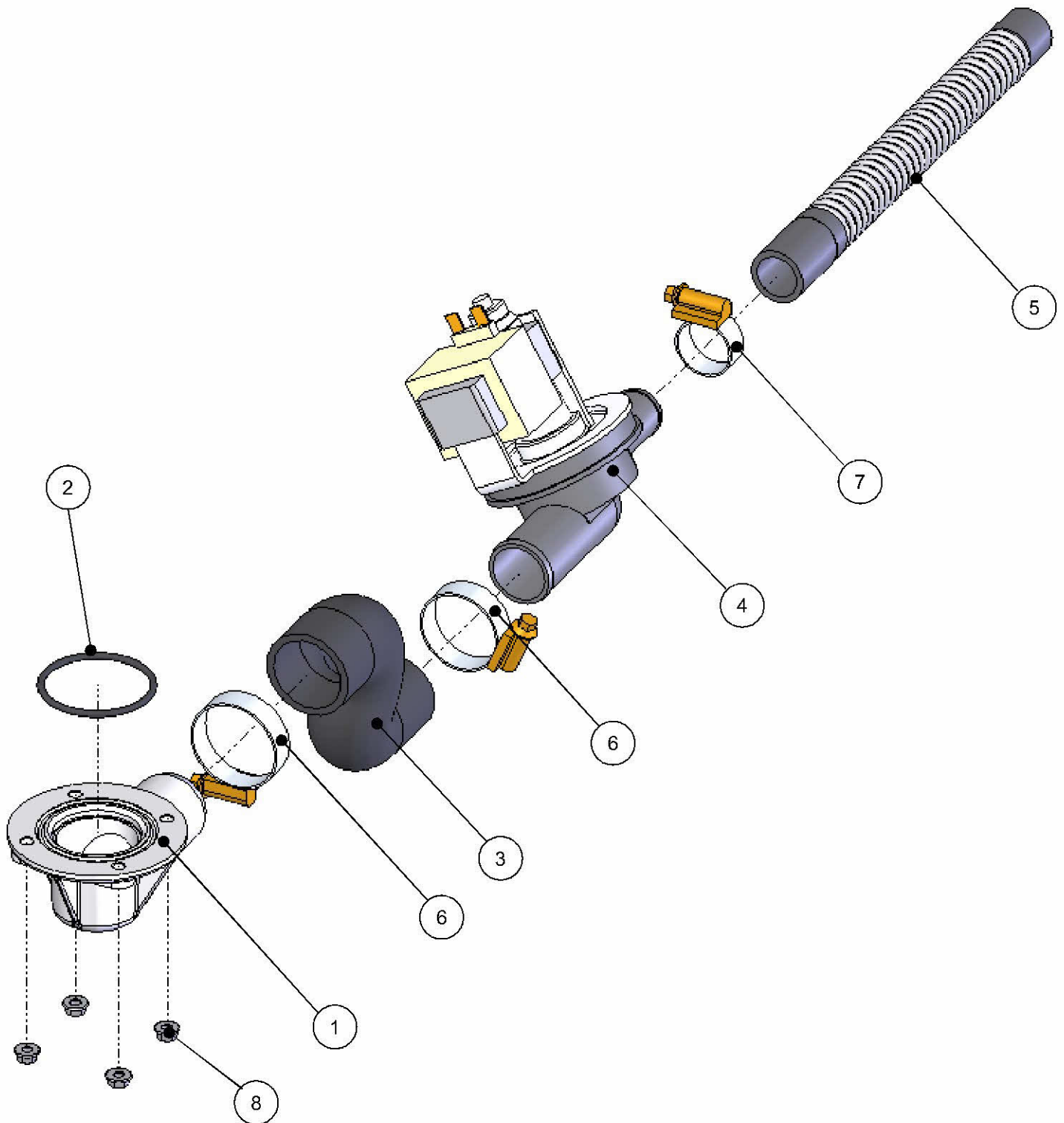


Rinse pump assembly - 0.27kW

Item	Description	Part no.	Qty	Note
1	Rinse pump - 0.27 kW	520.0002	1	
2	Bracket - Pump 0.27 kW	160.0006	1	
3	Capacitor - 5 μ F	529.0001	1	
4	M5 Star washer	W014	2	
5	M5 x 8mm long - Hex screw	SC011	2	

Drain pump kit

Machine type	Assembly description	Assembly part no.
All models	Drain pump kit	052.2402



Drain pump kit

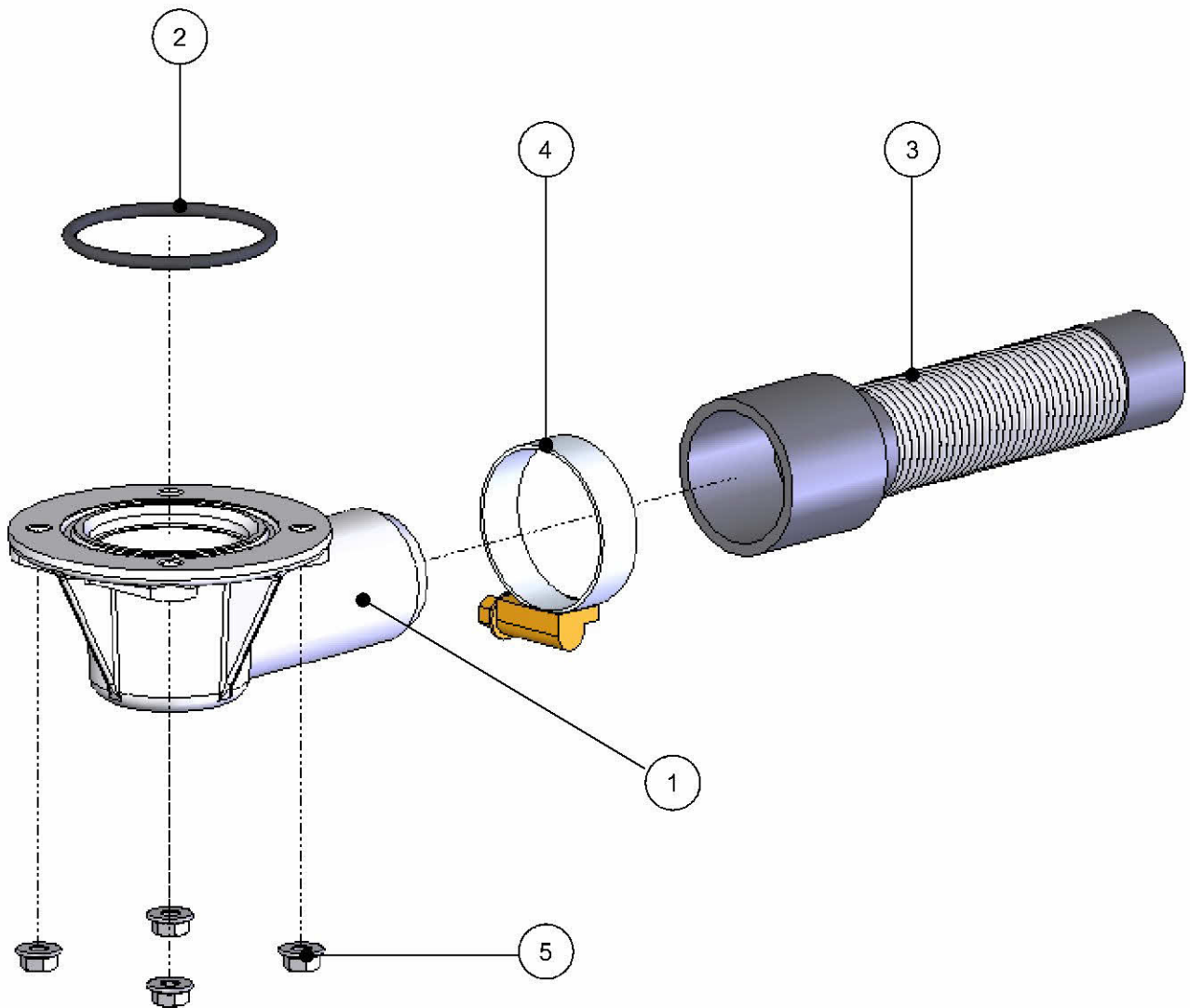
Item	Description	Part no.	Qty	Note
1	Wash & waste outlet	240.0002	1	
2	O-ring seal - Ø3mm x Ø47mm	300.3047	1	
3	Hose - Drain pump inlet	408.0001	1	
4	Drain pump	DP2	1	
5	Hose - Drain pump outlet	408.0003	1	
6	Jubilee clip - Ø30mm to Ø45mm	JCLIP-030-045	3	
7	M5 nut - Flange	FNUT-05	4	

Gravity drain models only



Gravity drain kit

Machine type	Assembly description	Assembly part no.
Gravity drain models only	Gravity drain kit	052.2401



Gravity drain models only

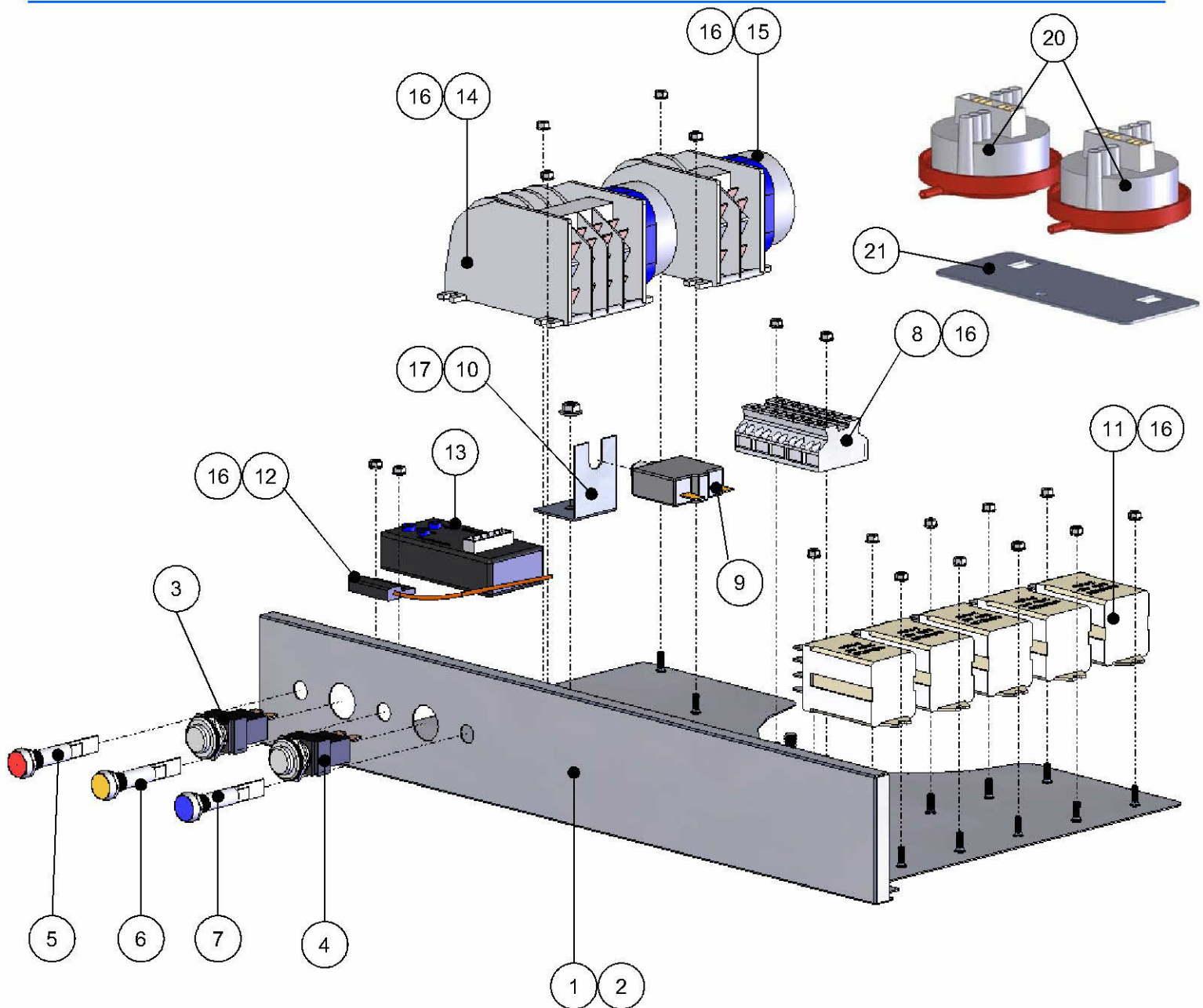


Gravity drain kit

Item	Description	Part no.	Qty	Note
1	Wash & waste outlet	240.0002	1	
2	O-ring seal - Ø3mm x Ø47mm	300.3047	1	
3	Hose - Gravity drain	408.0002	1	
4	Jubilee clip - Ø30mm to Ø45mm	JCLIP-030-045	3	
5	M5 nut - Flange	FNUT-05	4	

Component tray

Machine type	Assembly description	Assembly part no.
Eco 3	Component tray assembly	014.0006
Hydro 700	Component tray assembly	014.0010
Hydro 750	Component tray assembly	014.0014
Duo 3	Component tray assembly	014.0007
Duo 750	Component tray assembly	014.0003

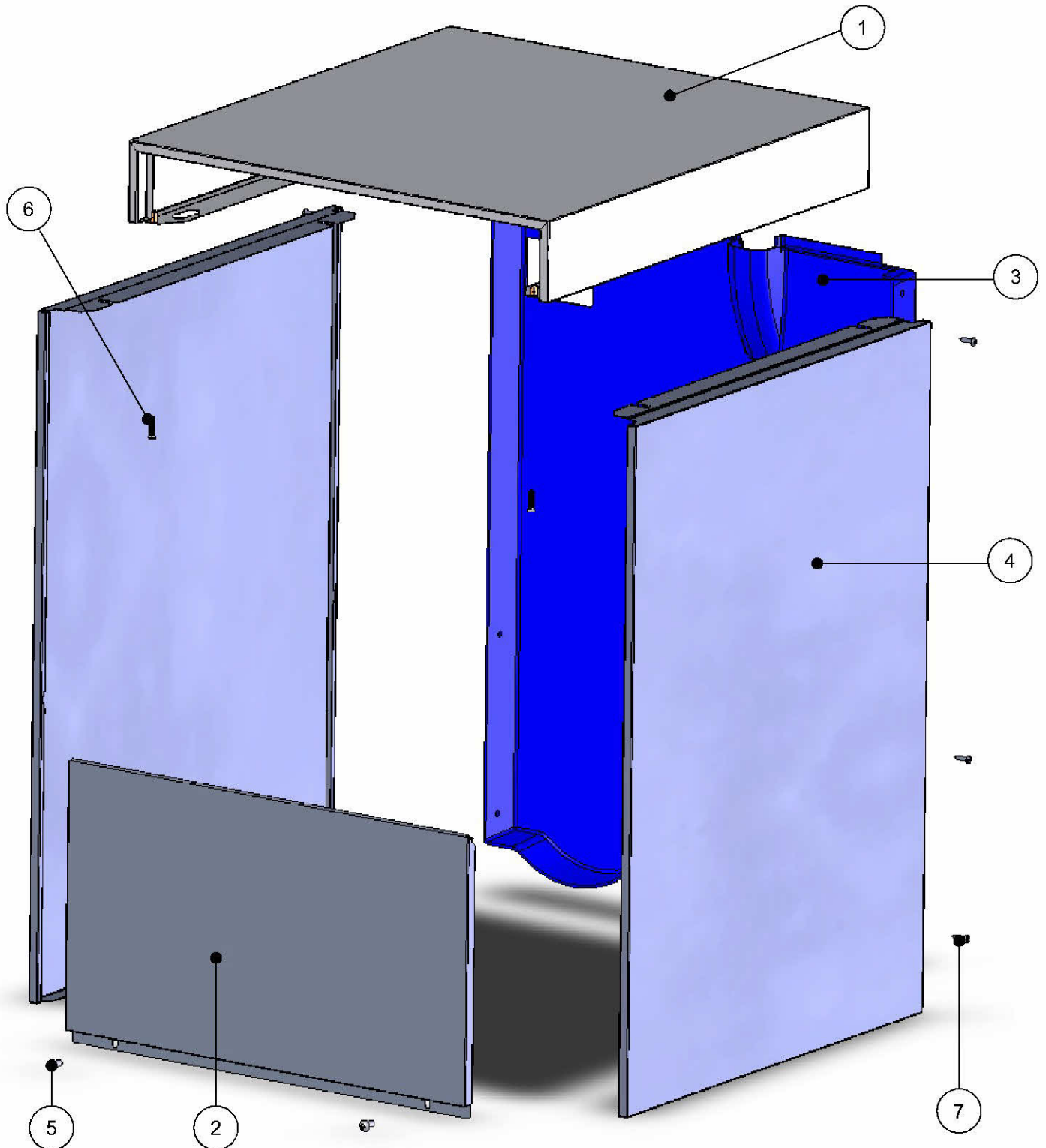


Component tray

Item	Description	Part no.	Qty	Note
1	Component tray - Single skin	140.0003	1	Only for Eco3, Hydro700 & Hydro 750
	Component tray - Double skin	140.0004		Only for Duo3 & Duo750
2	Fascia label - Eco 3	940.0004	1	Only for Eco 3
	Fascia label - Hydro 700	940.0010		Only for Hydro 700
	Fascia label - Hydro 750	940.0006		Only for Hydro 750
	Fascia label - Duo 3	940.0007		Only for Duo 3
	Fascia label - Duo 750	940.0008		Only for Duo 750
3	On / Off switch	500.0001	1	
4	Cycle switch	501.0001	1	
5	Indicator lamp - Red	505.0001	1	
6	Indicator lamp - Amber	505.0003	1	
7	Indicator lamp - Blue	505.0004	1	
8	Terminal block	7.12.70	1	
9	Circuit breaker - 4 amp	TCB-1	1	
10	Bracket - Circuit breaker	164.0001	1	
11	Contactor - 3 pole changeover	CONT/30	5	
12	Door switch	570.0001	1	
13	Chemical timer	CLM 312	1	
14	Cycle timer - 2 minute	560.4120	1	Only for Eco 3 & Duo 3
	Cycle timer - 3 minute	560.4180		Only for Hydro700, Hydro750 & Duo750
15	Transfer timer—30 seconds	560.2030	1	Only for Duo3 & Duo750
16	M3 nut - Flange	FNUT-03	18	
17	M5 nut - Flange	FNUT-05	2	
18	Wiring harness (not shown)	LM-P2-STD	1	Only for Hydro700, Hydro750 & Duo750
	Wiring harness (not shown)	LM-P2-ABT		Only for Duo3 & Duo750
19	Mains cable - 13 amps + UK plug	7.12.10/PAC	1	Only for Hydro700
	Mains cable - 30 amp single phase	7.12.10/3	2.5	Only for Eco3, Hydro750, Duo3 and Duo750
	Mains cable - 30 amp three phase		2.5	
20	Air pressure switch	530.0001	1	2 required on Duo3 & Duo750
21	Bracket - Air pressure Switch	102.0003	1	Only for Duo3 & Duo750

Panel kit - 500mm Single skin

Machine type	Assembly description	Assembly part no.
Eco3, Hydro 700 & Hydro 750	Panel kit - 500mm Single skin	015.0003
Duo3 & Duo750	Panel kit - 500mm Double skin	015.0004



Eco3, Hydro700, Hydro 750, Duo3 and Duo750



Panel kit - 500mm Single skin

Item	Description	Part no.	Qty	Note
1	Panel - Top single skin	154.0003	1	Only for Eco3, Hydro700 & Hydro 750
	Panel - Top double skin	154.0004		Only for Duo3 & Duo750
2	Panel - Front lower	153.0002	1	
3	Panel - Rear	250.0002	1	
4	Side panels	151.0002	2	Only for Duo3 & Duo750
5	M6 x 12mm long—Button head screw	SC1001	2	
6	M4 x 20mm long - Counter sunk screw		2	
7	No. 6 x 3/8" Pozi Pan Head Screw	7.9.13/15	6	
8	Bracket—Rear panel	163.0001	2	
9	Bracket - Cabinet to base	163.0003	2	
10	M5 nut - Flange	FNUT-05	6	
10	M4 - Self tapping clip	7.2.4/1	6	Not shown (used to hold back panel to base and cabinet)
11	Label - Stand pipe (Drain pump)		1	Only for drain pump m/c's (not shown)
	Label - Stand pipe (Gravity)			Only for gravity drain m/c's (not shown)

Packing kit

Machine type	Assembly description	Assembly part no.
Eco 3 & Duo 3	Packing kit - 500mm glasswasher	002.0003
Hydro 700, 750 & Duo 750	Packing kit - 500mm dishwasher	002.0004

Item	Description	Part no.	Qty	Note
1	Bottle weight	7.7.21/4	2	
2	Water supply hose	7.8.14	1	
3	Basket - 500mm ² Open	700GBP	2	Only for Eco 3 & Duo 3
			1	Only for Hydro700, Hydro750 & Duo750
4	Basket - 500mm ² Plate + Cutlery	700DRP	1	Only for Hydro700, Hydro750 & Duo750
5	Manual - Operators & installation	902.0001	1	English version



ClassEq is a trading name of
Classic Glass & Dishwashing Systems Ltd.